



Advanex Americas, Inc.

5780 Cerritos Ave
 Cypress
 California
 90630
 USA
 714.995.4519
 714.995.7294
 insidesales@advanexusa.com

Fax:
 Email:

Input Data			
Spring Details			
Spring Type	Round Wire Compression		
Design Standard	EN 13906-1: 2002		
Tolerance Standard	EN 15800:2008		
Material Information			
Material - ASTM A228 (Music Wire)			
Young's Modulus	206000	MPa	
Rigidity Modulus	81500	MPa	
Density	0.00000785	kg/mm ³	
Unprestressed Range	0-45	%	
Prestressed Range	45-56	%	
Design Information			
End Type	Closed & Ground		
Dead Coils	2.00		
Tip Thickness	50.00	%	
End Fixation			
Wire Diameter	9.00	mm	
Outside Diameter	64.00	mm	
Total Coils	8.00		
Spring Rate	66.96	N/mm	
Free Length	110.00	mm	

Calculated Data			
Solid Length	72.00	mm	
Solid Length (Max)	72.36	mm	
Solid Load	2544.4	N	
Solid Stress	488.83	MPa	
OD Expansion at solid	0.197	mm	
Stress Factor	1.23		
Active Coils	6.00		
Spring Index	6.11		
Helix Angle	5.07	Deg	
Buckling Possible	110.00	mm	
Buckling Definite	110.00	mm	
Spring Pitch	15.33	mm	
Inside Diameter	46.00	mm	
Mean Coil Dia.	55.00	mm	
Outside Diameter	64.00	mm	
Wire Length	1386.8	mm	
Weight	0.693	kg	
Natural Frequency	10789	RPM	

Operating Data		
	Operating Positions	
	1	2
Length (mm)		
Load (N)		
Deflection (mm)		
Stress (MPa)	0	0
Stress % Solid	0	0
O.D. Expansion (mm)		



Advanex Americas, Inc.

5780 Cerritos Ave

Cypress

California

90630

USA

714.995.4519

714.995.7294

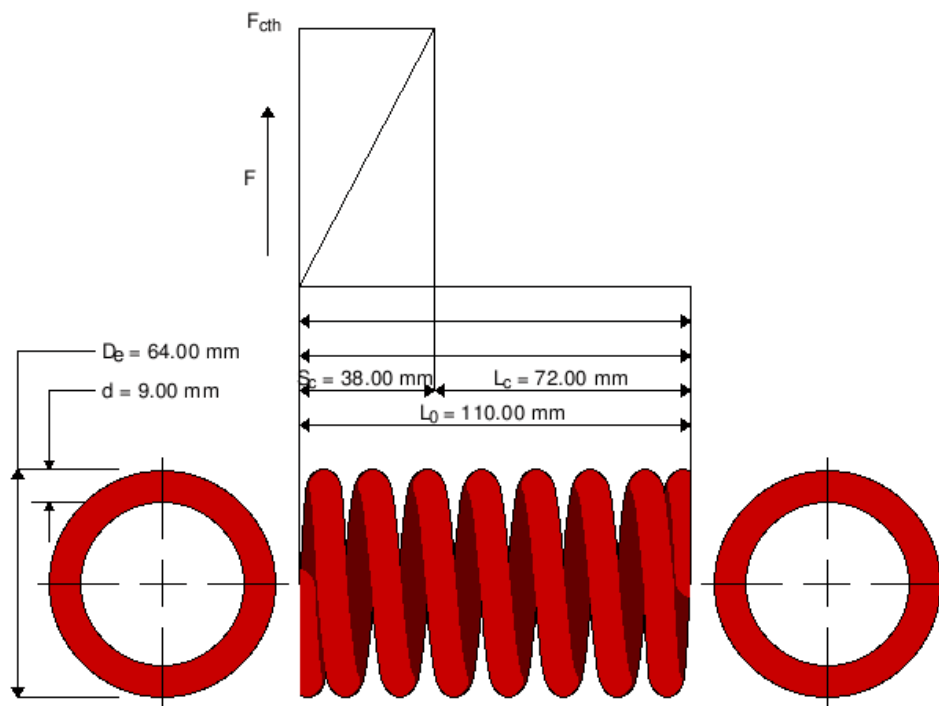
insidesales@advanexusa.com

Fax:

Email:

Spring Tolerances					
EN 15800:2008					
	Value		Grade 1	Grade 2	Grade 3
Free Length	110.00	±	1.40	2.22	3.55
Outside Diameter	64.00	±	0.400	0.800	1.50
Spring Rate	66.96	±			
Squareness			3.47	5.50	8.80
Parallelism			0.960	1.92	3.84
Working Load 1		±	93.59	148.55	237.68
Working Load 2		±	93.59	148.55	237.68

Spring Drawing





Advanex Americas, Inc.
5780 Cerritos Ave
Cypress
California
90630
USA
714.995.4519
714.995.7294
insidesales@advanexusa.com

Load / Length Drawing

